

### Boat Trailer Parts

- 11 ⇨ Boat Guides
- 11 ⇨ Pipe Lights™
- 11 ⇨ Boat Guide Light Bracket
- 12 ⇨ Bow Guides
- 12 ⇨ Bunkboard Guide On's
- 12 ⇨ Short Bunkboard Guide-on's
- 12 ⇨ Carpeted Bunk Boards
- 12 ⇨ Deluxe Bunk Carpets
- 13 ⇨ Roller Guides'On's
- 13 ⇨ Modular Bunk Glide On's
- 13 ⇨ Bunk Glide On's
- 13 ⇨ Hull Sav'r Rollers
- 14 ⇨ Bow Guards (Rubber)
- 14 ⇨ Bow Spool
- 14 ⇨ Wobble Type Rollers (Rubber)
- 14 ⇨ Spool-Type Keel Rollers (Rubber)
- 14 ⇨ Straight Rollers (Rubber)
- 14 ⇨ Deep "V" Keel Rollers (Rubber)
- 14 ⇨ End Caps (Rubber)
- 15 ⇨ Tongue Pad (Poly)
- 15 ⇨ Stoltz Straight Rollers
- 15 ⇨ Spool-Type Keel Rollers (Poly)
- 15 ⇨ Wobble Rollers (Poly)
- 15 ⇨ End Cap (Poly)
- 16 ⇨ Hull Sav'r Bow Stop
- 16 ⇨ Hull Sav'r Wobble & Rocker Rollers
- 16 ⇨ Hull Sav'r Bow Rollers
- 16 ⇨ Hull Sav'r Bushings
- 16 ⇨ Hull Sav'r End Bells
- 16 ⇨ Hull Sav'r Keel Rollers
- 16 ⇨ Hull Sav'r Post Caps
- 16 ⇨ Hull Sav'r Keel Pads
- 16 ⇨ Hull Sav'r End Caps
- 16 ⇨ Hull Sav'r Bunk Slicks
- 17 ⇨ Adjustable, Tongue - Keel Brackets
- 17 ⇨ Bunk Brackets
- 17 ⇨ Roller Brackets
- 18 ⇨ Roller Shafts
- 18 ⇨ Pal Nuts & Cotter Pin
- 18 ⇨ Hog Rings & Wobble Roller Washers
- 18 ⇨ Pyramid Washers
- 19 ⇨ Bow Stands
- 19 ⇨ Winch Mounts
- 19 ⇨ PWC Bow Stand Combination



|             |                              |
|-------------|------------------------------|
| Information | Axle                         |
| and Hubs    | Axles and Hubs               |
| Assemblies  | Brake Assemblies             |
|             | Suspensions                  |
|             | Tires & Wheels               |
|             | Jacks, Couplers & Winches    |
|             | Hitches & Towing Accessories |
|             | Body Components              |
|             | Boat Trailer Parts           |
|             | Lights & Electrical          |
|             | Locks & Cargo Control        |
|             | Brake Actuating Systems      |
|             | Switches                     |

## Boat Guides

Extra height improves visibility when backing up, also for locating the trailer under water when loading lights maybe mounted up and out of the water.



### Bent PVC



| Part #                | Description  |
|-----------------------|--|
| 1236                  | 32" PVC Guide - Sold in pairs with mounting hardware. 1.9" OD PVC. Will NOT fit Pipe-Light™            |
| <b>FULTON</b><br>1238 | PVC Tubing; 50" high, sold in pairs with all attaching hardware. 1.9" OD PVC. Will NOT fit Pipe-Light™ |
| 1246                  | 65" PVC Guide - Sold in pairs with mounting hardware. 1.9" OD PVC. Will NOT fit Pipe-Light™            |

### Bent Galvanized Tube with PVC Sleeve



| Part #  | Description   |
|---|---|
| <br>1276 | 40" PVC guide with galvanized post for extra strength. Extends out to 13" from each side of the trailer frame. Can be mounted on top of frame for extra height. Complete for trailer frames up to 3" W x 4 1/4" H. 2 3/8" OD PVC. |
| <br>1282 | 48" PVC guide with galvanized post for extra strength. Extends out to 13" from each side of the trailer frame. Complete for trailer frames up to 3" W x 4 1/4" H. 2 3/8" OD PVC.  |

### Bent Aluminum Tube with PVC Sleeve

| Part # | Description  |
|--------|--|
| 1248   | 65" PVC/Round Aluminum Guide - Sold in pairs with mounting hardware. 1.9" OD PVC. Will NOT fit Pipe-Light™ |
| 1247   | 75" PVC/Square Aluminum Guide - Sold in pairs with mounting hardware. 2 3/8" OD PVC.                       |

## Pipe Light™



| Part # | Description  |
|--------|--|
| 1234   | Pipe-Light™ boat trailer <b>INCANDESCENT</b> light kits provide rubber mounted submersible 12 volt lights for boat trailers using 2" PVC pipe. Fits 2 3/8" OD pipe. Standard 3 wire plug in connectors with 10 foot wire leads, stainless screws, frame clips and wire connectors are included (1 Pair). Fits #1276, 1282 and 1247 Guide Kits. |
| 1237   | Pipe-Light™ boat trailer <b>L.E.D.</b> light kits provide rubber mounted submersible 12 volt lights for boat trailers using 2" PVC pipe. Fits 2 3/8" OD pipe. Standard 3 wire plug in connectors with 10 foot wire leads, stainless screws, frame clips and wire connectors are included (1 Pair). Fits #1276, 1282 and 1247 Guide Kits.       |

**\*L.E.D.\***

## Boat Guide Light Bracket

| Part # | Description   |
|--------|---|
| 1235   | 1 pair galvanized steel, bolt-on, heavy-duty brackets for tail lights. For PVC boat guides. |

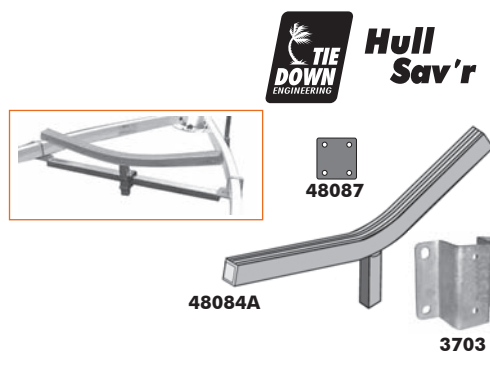


- Axle Information
- Axles and Hubs
- Brake Assemblies
- Suspensions
- Tires & Wheels
- Jacks, Couplers & Winches
- Hitches & Towing Accessories
- Body Components
- Boat Trailer Parts
- Lights & Electrical
- Locks & Cargo Control
- Brake Actuating Systems
- Switches

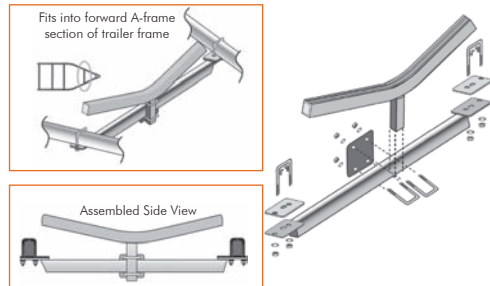


### Bow Guides

| Part # | Description   |
|--------|---|
| 48084A | Bow Guide with poly-vinyl cover.<br>Poly vinyl is long lasting, cut resistant, absorbs shock, non-marking, and outperforms polyurethane products.<br>Attaches to cross member with u-bolts and tie plates; Sold separately. |
| 3703   | Mounting Bracket - Galvanized. Requires 3" wide u-bolts; Sold separately.   |
| 48087  | Mounting Plate - Zinc. Requires 2" wide u-bolts; Sold separately.   |



| Part # | Description  |
|--------|--|
| 86161  | Bow Guide Kit with cross member.<br>Includes #48084A bow guide and cross member with all necessary hardware to attach to 3" or 4" frame. |



### Bunkboard Guide On's

| Part # | Description  |
|--------|--|
| 1277   | Carpeted bunkboards cradle boat and provide proper centerloading even in wind or side current conditions boards tilt to hug hull. Posts of 1 1/2" steel tubing and all mounting brackets are hot-dipped galvanized for rust protection. Marine grade 2" x 4" x 5' boards covered with high grade marine carpet. Side adjustment up to 13". Can be mounted beneath or on top of frame. Fits all popular small trailers. All mounting brackets and hardware are included packed in self selling display carton. Sold in pairs. |



### Short Bunkboard Guide-On's

| Part # | Description  |
|--------|--|
| 1279   | Bunk is 24" long, covered with deluxe marine carpet. It will adjust to the angle of your boat. Posts and mounting brackets are hot-dipped galvanized. Height of 21" with side adjustment of 13" from frame. Sold in pairs. |



### Carpeted Bunk Boards

| Part # | Length | Description   |
|--------|--------|---|
| 1293   | 3'     | Marine grade 2" x 4" bunks covered with top quality, weather resistant marine carpet to protect hulls from scratching when launching, loading or trailering. Long lasting black carpet has minimal water retention. Durable backing. Sold in pairs. |
| 1294   | 4'     |   |
| 1295   | 5'     |   |



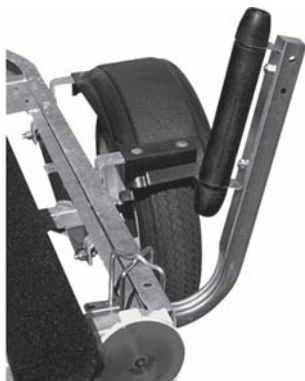
### Deluxe Bunk Carpets

| Part # | Color | Description  |
|--------|-------|--|
| 1290   | Black | Deluxe, high quality, weather-resistant carpet renews trailer bunk appearance and protects boat from scratches durable backing with minimal water retention. Width of 10" completely covers 2" x 4" bunk. 12' length can be cut as required. Packed in self selling display box. |
| 1291   | Blue  |  |



Axle Information  
 Axles and Hubs  
 Brake Assemblies  
 Suspensions  
 Tires & Wheels  
 Jacks, Couplers & Winches  
 Hitches & Towing Accessories  
 Body Components  
 Boat Trailer Parts  
 Lights & Electrical  
 Locks & Cargo Control  
 Brake Actuating Systems  
 Switches

Axle Information  
Axles and Hubs  
Brake Assemblies  
Suspensions  
Tires & Wheels  
Jacks, Couplers & Winches  
Hitches & Towing Accessories  
Body Components  
Boat Trailer Parts  
Lights & Electrical  
Locks & Cargo Control  
Brake Actuating Systems  
Switches



### Roller Guides-On's

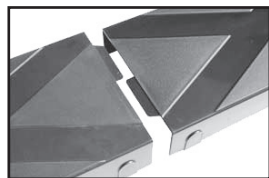
| Part # | Description   |
|--------|---|
| 1278   | Heavy-duty. Hot-dipped galvanized steel construction and non marking 9" rubber roller with end caps to make loading safer and easier. Fits all popular small trailers side adjustment up to 13". Sold in pairs with all mounting brackets and hardware. |



Self Centering

### Modular Bunk Glide On's

| Part # | Description  |
|--------|--|
| 86295  | Self centering bunk glide on's with interlocking modular sections. Designed to fit various bunk board lengths. Ideal for painted, fiberglass, or aluminum boats. <ul style="list-style-type: none"> <li>• Fits Two 2"x 6"x 8' Bunk Boards</li> <li>• Kit Includes: (4) 2 ft. Sections, (4) 2 ft. End Sections &amp; 3/4" Stainless Steel Self Tapping Screws</li> </ul> (Kits Can Be Combined For Longer Length Bunk Boards) |



Modular Interlocking Sections



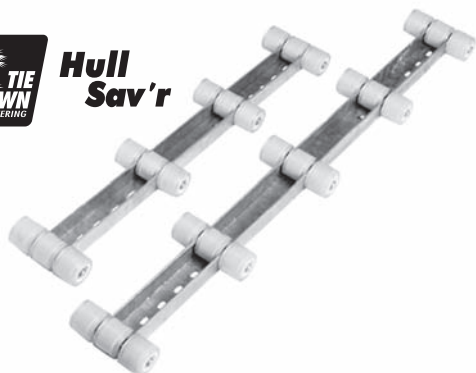
### Bunk Glide On's

| Part # | Description                          |
|--------|--------------------------------------|
| 86003  | Bunk Glide On's 2 x 6 (Pair) - Black |
| 86004  | Bunk Glide On's 2 x 4 (Pair) - Black |

Self centering bunk glide on's. Made with Tie Down's enhanced PVC, launch and load made easy! Ideal for painted, fiberglass, or aluminum boats. Slide on or off with less effort. Easy to install.



**Hull Sav'r**



### Hull Sav'r Rollers

| Part # | Description                     |
|--------|---------------------------------|
| 1284   | 4 ft. Roller Bunks Galv. (Pair) |
| 1285   | 5 ft. Roller Bunks Galv. (Pair) |

Replace bunk boards with these non-marking roller bunks. Heavy-duty galvanized steel frame provides full hull support. Roller bunks can be adjusted vertically with optional bolster support swivel brackets. Available in galvanized finish.





### Bow Guards (Rubber)

| Part # | Length  | Hole | Style   |
|--------|---------|------|---------|
| 3002   | 2" x 2" | 1/2" | V Block |
| 3003   | 3" x 3" | 1/2" | V Block |



### Bow Spool

| Part # | Length | Hole | Style |
|--------|--------|------|-------|
| 3001   | 3"     | 1/2" | Spool |
| 3011   | 4"     | 1/2" | Spool |



| Part # | Length  | Hole | Style   |
|--------|---------|------|---------|
| 3004   | 3" x 3" | 1/2" | F Block |



3032

### Wobble Rollers (Rubber)

| Part # | Length | Dia.   | Hole            | Type    | Style  |
|--------|--------|--------|-----------------|---------|--------|
| 3032   | 4"     | 4"     | 3/4" x 1/8"     | Washer  | Smooth |
| 3034   | 3"     | 5"     | 3/4" x 1 3/4"   | Bushing | Ribbed |
| 3035   | 3"     | 5"     | 5/8" x 1 3/4"   | Bushing | Ribbed |
| 3033   | 3"     | 4"     | 5/8" x 1 3/4"   | Bushing | Ribbed |
| 3037   | 3"     | 4 3/8" | 3/4" x 1 3/4"   | Bushing | Ribbed |
| 3038   | 3"     | 5"     | 1 1/8" x 1 3/4" | Bushing | Ribbed |



### Spool-Type Keel Rollers (Rubber)

| Part # | Length | Diameter | Hole | Style |
|--------|--------|----------|------|-------|
| 3010   | 4"     | 3"       | 1/2" | Spool |
| 3012   | 5"     | 3"       | 1/2" | Spool |
| 3013   | 5"     | 3"       | 5/8" | Spool |
| 3020   | 5"     | 3 1/2"   | 5/8" | HD    |



### Straight Rollers (Rubber)

| Part # | Length | Diameter | Hole | Style |
|--------|--------|----------|------|-------|
| 3036   | 9"     | 2"       | 1/2" | STR.  |
| 3039   | 12"    | 2 1/2"   | 5/8" | STR.  |



### Deep "V" Keel Rollers (Rubber)

| Part # | Length | Diameter | Hole | Style |
|--------|--------|----------|------|-------|
| 3021   | 5"     | 3"       | 5/8" | Keel  |
| 3024   | 8"     | 3 1/2"   | 5/8" | Keel  |
| 3025   | 8"     | 4"       | 5/8" | Keel  |
| 3026   | 10"    | 3 1/2"   | 5/8" | Keel  |
| 3028   | 12"    | 3 1/2"   | 5/8" | Keel  |
| 3029   | 12"    | 4"       | 5/8" | Keel  |
| 3030   | 18"    | 4"       | 5/8" | Keel  |



Style 1



Style 2



Style 3

### End Caps (Rubber)

| Part # | Diameter    | Hole | Style |
|--------|-------------|------|-------|
| 3042   | 2"          | 1/2" | 1     |
| 3045   | 2 1/2"      | 5/8" | 1     |
| 3047   | 3"          | 1/2" | 2     |
| 3048   | 3 1/2"      | 1/2" | 2     |
| 3049   | 3 1/2"      | 5/8" | 2     |
| 3041   | 4" End Bell | 5/8" | 3     |



Axle Information  
Axles and Hubs  
Brake Assemblies  
Suspensions  
Tires & Wheels  
Jacks, Couplers & Winches  
Hitches & Towing Accessories  
Body Components  
Boat Trailer Parts  
Lights & Electrical  
Locks & Cargo Control  
Brake Actuating Systems  
Switches



**STOLTZ  
SUPER ROLLERS**

**Bow Stops**

| Part # | Stock | Style | Application               |
|--------|-------|-------|---------------------------|
| 3056   | PWC-4 | C     | 4" Jet Skis & Waverunners |
| 3058   | PWC-5 | C     | 5" Super Jet & Waverunner |



**Tongue Pad (Poly)**

| Part # | Stock    | Size     | Application |
|--------|----------|----------|-------------|
| 3091   | PAD-4112 | 4" x 12" | Skid Pad    |



| Part # | Stock  | Size | Hole | Style |
|--------|--------|------|------|-------|
| 3051   | RP-33  | 3"   | 1/2" | Spool |
| 3062   | RP-443 | 3"   | 1/2" | Spool |
| 3057   | RP-444 | 4"   | 1/2" | Spool |



**Straight Rollers**

| Part # | Stock  | Style | Dia.   | Length | Hole |
|--------|--------|-------|--------|--------|------|
| 3052   | RP-42  | STR.  | 4"     | 2"     | 1/2" |
| 3089   | RP-212 | STR.  | 2 1/2" | 12"    | 5/8" |



| Part # | Stock  | Size | Hole | Style   |
|--------|--------|------|------|---------|
| 3053   | RP-3   | 3"   | 1/2" | V Block |
| 3055   | RP-404 | 4"   | 1/2" | V Block |



**Wobble Rollers (Poly)**

| Part # | Stock  | Style  | Dia.   | Length | Hole             |
|--------|--------|--------|--------|--------|------------------|
| 3054   | RP-44  | Wobble | 3 5/8" | 3 3/8" | 3/4" x 1"        |
| 3083   | RP-36a | Wobble | 4"     | 3"     | 1 1/16" x 1 1/4" |
| 3085   | RP-53a | Wobble | 5"     | 3"     | 5/8" x 1 1/2"    |



**Spool-Type Keel Rollers (Poly)**

| Part # | Stock  | Length | Hole | Style |
|--------|--------|--------|------|-------|
| 3060   | RP-45  | 4"     | 1/2" | Spool |
| 3063   | RP-5   | 5"     | 5/8" | Spool |
| 3070   | RP-504 | 5"     | 5/8" | Keel  |



| Part # | Stock | Style | Size | Hole |
|--------|-------|-------|------|------|
| 3072   | RP-7  | Keel  | 7"   | 5/8" |
| 3074   | RP-8  | Keel  | 8"   | 5/8" |
| 3076   | RP-10 | Keel  | 10"  | 5/8" |
| 3078   | RP-12 | Keel  | 12"  | 5/8" |
| 3080   | RP-18 | Keel  | 18"  | 5/8" |



3099



3097

**End Caps (Poly)**

| Part # | Stock | Diameter | Length | Hole |
|--------|-------|----------|--------|------|
| 3097   | RP-22 | 2 1/2"   | 2"     | 5/8" |
| 3099   | RP-32 | 3 1/4"   | 1 1/8" | 5/8" |





### Bow Stop

| Part # | Description                       |
|--------|-----------------------------------|
| 48372  | V Bow Stop, Amber (w/Insert Tube) |



### Bow Rollers

| Part # | Description |
|--------|-------------|
| 48653  | 3", Amber   |
| 48651  | 4", Amber   |
| 3116   | 4", Blue    |



### End Bells

| Part # | Description          |
|--------|----------------------|
| 48654  | 3", Amber for #48653 |
| 48652  | 4", Amber for #48651 |
| 3118   | 4", Blue for #3116   |



### Keel Rollers

| Part # | Description            |
|--------|------------------------|
| 48373  | 5", Amber, Spool       |
| 48374  | 4", Amber, Spool       |
| 48376  | Fits 5" Bracket, Amber |
| 48377  | 8", Amber, Spool       |
| 48378  | 10", Amber, Spool      |
| 48379  | 12", Amber, Spool      |



### End Caps

| Part # | Description                               |
|--------|---|
| 48358  | 3½" for 8", 10" & 12" Keel Rollers, Amber |



**Hull Sav'r**



### Wobble & Rocker Rollers

| Part # | Description  |
|--------|--|
| 48662  | 5" D x 3" W, Amber - 1½" ID Ribbed<br>Use bushing (below) to reduce ID |
| 48665  | 2½" x 2", Smooth Surface, Amber  |
| 48666  | 4" x 2¾", Smooth Surface, Amber  |



### Bushings

| Part # | Description                          |
|--------|--------------------------------------|
| 48369  | 7/8" ID, use with 5" Wobble Rollers  |
| 48370  | 1.15" ID, use with 5" Wobble Rollers |



### Post Caps

| Part # | Description    |
|--------|----------------|
| 48368  | 4" x 3", Amber |
| 48375  | 3" x 3", Amber |
| 48363  | 2" x 2", Amber |
| 3113   | 3" x 3", Black |



### Keel Pads

| Part # | Description                            |
|--------|--|
| 48650  | 3.5" x 15", Amber; Fits 3" Cross Beams |
| 48663  | For Torsion Axles, Amber               |
| 3100   | 3" x 12", Black - Center Mount         |
| 3111   | 3" x 12", Blue - Side Mount Tabs       |
| 3119   | 3" x 12", Black - Side Mount Tabs      |



### Bunk Slicks

| Part # | Description      |
|--------|------------------|
| 48667  | 3" x 16", Black  |
| 48668  | 1¾" x 17", Black |

Information  
Axle  
and Hubs  
Brake  
Assemblies  
Suspensions  
Tires &  
Wheels  
Jacks,  
Couplers &  
Winches  
Accessories  
Hitches &  
Towing  
Components  
Body  
Boat  
Trailer Parts  
Lights &  
Electrical  
Cargo Control  
Locks &  
Actuating  
Systems  
Switches





**Adjustable, Tongue - Keel Brackets**

| Part # | Description                     |
|--------|---------------------------------|
| 1190   | 1 Pair; Hot Galvanized Brackets |

**\*\*Hardware & Roller Not Included**



| Part # | Description                             |
|--------|---|
| 3703   | V-bar mounting bracket WITHOUT hardware |



| Part # | Assembly Includes  |
|--------|--|
| 1194   | 4" Roller; Galvanized one piece bracket mount on trailer frame |



**Bunk Brackets**

| Part # | Style             | Slot Size |
|--------|-------------------|-----------|
| 1269   | 8" Vertical Post  | 1/2" x 5" |
| 1270   | 10" Vertical Post | 1/2" x 6" |
| 1272   | 12" Vertical Post | 1/2" x 9" |

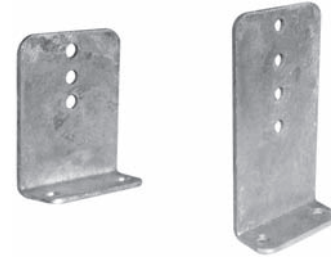


| Part # | Style                 | Slot Size  |
|--------|-----------------------|------------|
| 1261   | 8" Flat Bunk Bracket  | 1/2" x 6"  |
| 1271   | 10" Flat Bunk Bracket | 1/2" x 8"  |
| 1281   | 12" Flat Bunk Bracket | 1/2" x 10" |



**Bunk Brackets (Continued)**

| Part # | Style                   | Post Size |
|--------|-------------------------|-----------|
| 1265   | Flat Bunk Angle Bracket | 2"        |



| Galv. Part # | Alum. Part # | Size            |
|--------------|--------------|-----------------|
| 1287         | 1286         | 5" x 8" x 1/4"  |
| 1288         | 1289         | 5" x 10" x 1/4" |



**Roller Brackets**  
(Hot Dipped Galvanized)

| Part # | Roller Size | Bolt Centers | Slot Size | Style    |
|--------|-------------|--------------|-----------|----------|
| 1197   | -           | -            | 1/2" x 5" | RH Split |
| 1199   | -           | -            | 1/2" x 5" | LH Split |



| Part # | Roller Size | Bolt Centers | Slot Size | Style |
|--------|-------------|--------------|-----------|-------|
| 1215   | 4"          | 2"           | 1/2" x 5" | Solid |
| 1217   | 5"          | 3"           | 1/2" x 5" | Solid |
| 1223   | 8"          | 6"           | 1/2" x 5" | Solid |
| 1225   | 10"         | 8"           | 1/2" x 5" | Solid |
| 1227   | 12"         | 10"          | 1/2" x 5" | Solid |

### Roller Shafts

(Available Zinc Plated or Stainless Steel)

| Part # Zinc | Part # Stainless Steel | Diameter | Length  | Fits                    |
|-------------|------------------------|----------|---------|-------------------------|
| 1151        | -                      | 1/2"     | 5 1/4"  | 4" Roller               |
| 1153        | -                      | 1/2"     | 6 1/2"  | 5" Roller               |
| 1161        | -                      | 1/2"     | 13 1/4" | 12" Roller              |
| 1171        | -                      | 5/8"     | 5 1/4"  | 4" Roller               |
| 1173        | 1144                   | 5/8"     | 6 1/4"  | 5" Roller               |
| 1179        | 1145                   | 5/8"     | 9 1/4"  | 8" Roller               |
| 1181        | 1146                   | 5/8"     | 11 1/4" | 10" Roller              |
| 1183        | 1147                   | 5/8"     | 13 1/4" | 12" Roller              |
| 1187        | -                      | 5/8"     | 16"     | 12" Roller with End Cap |
| 1185        | 1149                   | 5/8"     | 19 3/4" | 18" Roller              |



(Stainless Steel are drilled for Cotter Pin)

### Pal Nuts & Cotter Pin

| Part #  | Description                              | Quantity |
|---------|--|----------|
| 4105    | 1/2" Galvanized Pal Nut                  | Each     |
| 4105-25 | 1/2" Galvanized Pal Nut                  | 25 Pcs.  |
| 4108    | 5/8" Galvanized Pal Nut                  | Each     |
| 4108-25 | 5/8" Galvanized Pal Nut                  | 25 Pcs.  |
| 34005   | 1/8" x 1 1/4" Stainless Steel Cotter Pin | Each     |



### Hog Rings & Wobble Roller Washers

| Part # | Description   |
|--------|---|
| 4110   | Hog Ring and Washer Kit - Contains 2 each <b>#4111 &amp; 4112</b> |
| 4111   | Heavy Duty Hog Ring - Zinc Plated                                 |
| 4113   | Standard Hog Ring - Zinc Plated                                   |
| 4112   | Washer 1 1/4" ID 2 1/4" OD - Zinc Plated                          |



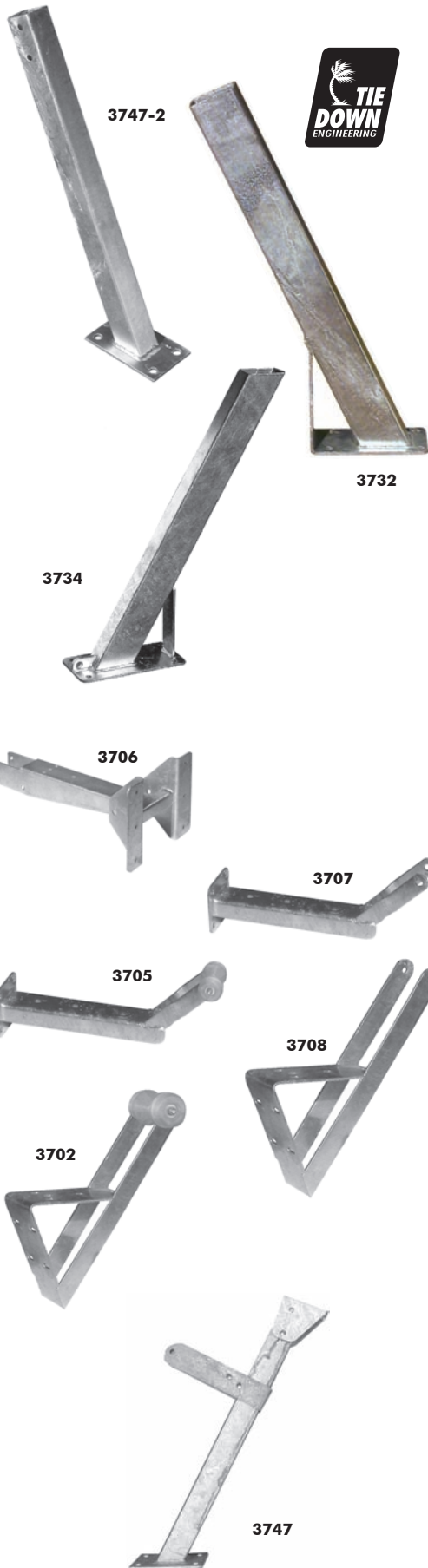
### Pyramid Washers

| Part #  | Bolt Size         | Quantity |
|---------|-------------------|----------|
| 4181    | 3/8" Lock Washer  | Each     |
| 4181-50 | 3/8" Lock Washer  | 50 Pcs.  |
| 4182    | 7/16" Lock Washer | Each     |
| 4182-50 | 7/16" Lock Washer | 50 Pcs.  |
| 4183    | 1/2" Lock Washer  | Each     |
| 4183-50 | 1/2" Lock Washer  | 50 Pcs.  |



Axle Information  
 Axles and Hubs  
 Brake Assemblies  
 Suspensions  
 Tires & Wheels  
 Jacks, Couplers & Winches  
 Hitches & Towing Accessories  
 Body Components  
 Boat Trailer Parts  
 Lights & Electrical  
 Locks & Cargo Control  
 Brake Actuating Systems  
 Switches

Axle Information  
Axles and Hubs  
Brake Assemblies  
Suspensions  
Tires & Wheels  
Jacks, Couplers & Winches  
Hitches & Towing Accessories  
Body Components  
Boat Trailer Parts  
Lights & Electrical  
Locks & Cargo Control  
Brake Actuating Systems  
Switches



### Bow Stands

(Mounting Hardware Sold Separately)

| Part # | Capacity  | Description               | Tongue Width | Tube Size | Base        | Length | Angle | Gauge |
|--------|-----------|---------------------------|--------------|-----------|-------------|--------|-------|-------|
| 3747-2 | 1,300 lbs | Bow Stand                 | 2"           | 2 x 2     | 4" x 6"     | 24"    | 30°   | 14    |
| 3732   | 2,200 lbs | Bow Stand                 | 3"           | 2 x 3     | 5" x 8"     | 24"    | 35°   | 11    |
| 3734   | 2,200 lbs | Bow Stand                 | 3"           | 2 x 3     | 3" x 9"     | 28.75" | 25°   | 11    |
| 3737   | 3,500 lbs | Bow Stand                 | 3"           | 3 x 3     | 5" x 10.18" | 25"    | 25°   | 11    |
| 3733   | 3,700 lbs | Bow Stand                 | 3"           | 4 x 2     | 5" x 12"    | 30"    | 25°   | 11    |
| 3730   | 3,700 lbs | Bow Stand                 | 3"           | 4 x 2     | 5" x 12"    | 34.5"  | 25°   | 11    |
| 3736   | 4,600 lbs | Bow Stand                 | 3"           | 4 x 3     | 5" x 10.18" | 35"    | 25°   | 11    |
| 3731   | 4,600 lbs | Pontoon Trailer Bow Stand | 3"           | 4 x 3     | 5" x 10.18" | 42"    | 0°    | 11    |

### Winch Mounts

(Mounting Hardware Sold Separately)

| Part # | Description  | Tube Size | Length | Gauge |
|--------|--|-----------|--------|-------|
| 3747-1 | "Y" Stop Mount   | 2"        | 9.0"   | 11    |
| 3747-3 | Winch Mount  | 2"        | 3.5"   | 14    |
| 3701   | For 2" wide post; Uses 3" roller/bow stop<br><b>NOT INCLUDED</b>                               | 2"        | 20.31" | ¼"    |
| 3706   | Pontoon Winch Mount<br>Fits #3731 Winch Post   | 3"        | 18.5"  | 8     |
| 3707   | For 3" wide post; Uses 3" roller/bow stop<br><b>NOT INCLUDED</b>                               | 3"        | 14.75" | 11    |
| 3705   | For 2 or 3" wide post; Uses 3" roller/bow stop -<br>Includes roller and end caps pre-installed | 3"        | 14.75" | 11    |
| 3708   | For 2" & 3" wide post; Uses 4" roller/bow stop<br><b>NOT INCLUDED</b>                          | 2"        | 17.5"  | ¼"    |
| 3702   | For 2" & 3" wide post; Uses 4" roller/bow stop -<br>Includes roller and end caps pre-installed | 2"        | 17.5"  | ¼"    |

### PWC Bow Stand Combination

(Mounting Hardware Sold Separately)

| Part # | Description  |
|--------|--|
| 3747   | Includes #3747-3, 3747-1 & 3747-2 - 900 lbs Capacity |

