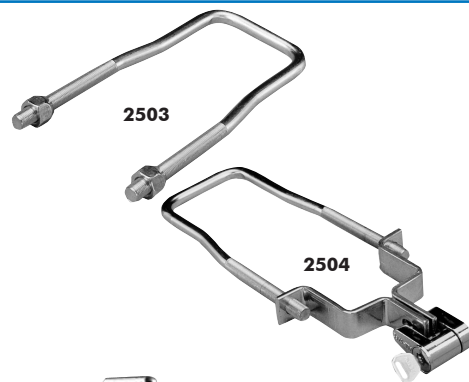


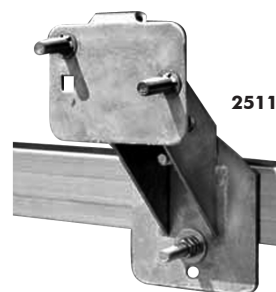
Spare Tire Carriers (U-Bolt Style)

Part #	Description
2503	1/2" Zinc plated u-bolt with nuts, fits up to a 3" tongue for 4 or 5 hole rims will fit 8" through 15" wheels.
2504	SAME AS ABOVE except it comes with brackets and padlock for extra security.
9170	1/2 - 20 x 3 5/8 x 12" u-bolt. Fits 4, 5 and 8 bolt wheels. (Nuts sold separately)

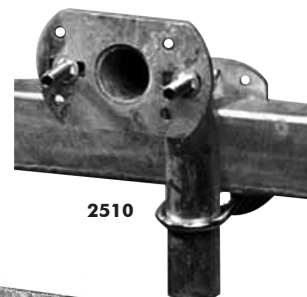


Spare Tire Carriers (Side Mount, Bolt-On)

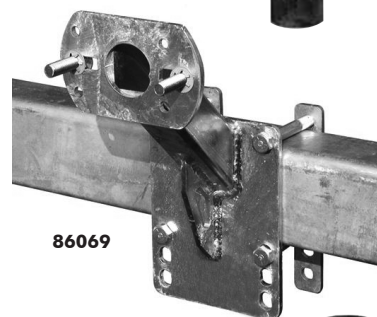
Part #	Description
2511	Hot-dipped galvanized, side mount tire carrier fits up to 3 & 4" frame and gives a 4 1/2" offset from frame ALL mounting hardware included. Fits 4 or 5 hole wheels.



Part #	Description
2510	Hot-dipped galvanized for lasting protection. Fits all trailer frames up to 3" wide by 4" high. Heavy-duty steel tubing. 4, 5 or 6 hole wheels.

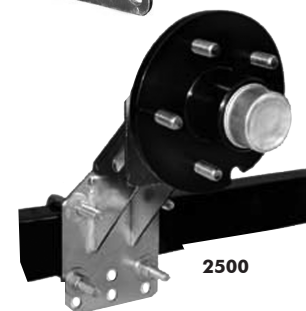


Part #	Description
86069	Adjustable bolt circle fits both 4 and 5 lug wheels. Fits all trailer frames up to 6" high. Heavy duty welded steel construction. Hot Dipped Galvanized.



Spare Hub & Tire Carrier

Part #	Description
2500	Includes 5 stud pre-greased hub (w/bearings); Heavy-duty steel carrier mounts both spare hub & spare tire; Fits all trailer frames up to 3" wide and 4" high; Security holes for optional cable & lock. 5 - 4.5" bolt pattern.



Eliminator Spare Spindle/Tire Carrier

Part #	Description
48059-AG	Includes 5 bolt galvanized hub, spindle and galvanized bracket. Fits Tie Down 3,500 lbs Torsion Axles mounts to I-beam or C-Channel frames. 1,750 lbs capacity. (Mounting hardware NOT included)
48097-AG	Includes 6 bolt galvanized hub, spindle and galvanized bracket. Fits Tie Down 5,200 - 6,000 lbs Torsion Axles mounts to I-beam or C-Channel frames. 3,000 lbs capacity. (Mounting hardware NOT included)



Information

Hubs and Axles

Brake Assemblies

Suspensions & Fasteners

Tires & Wheels

Couplers, Jacks & Winches

Hitches & Towing Accessories

Body Components

Trailer Parts

Lights & Electrical

Locks & Cargo Control

Brake Actuating Systems

Switches