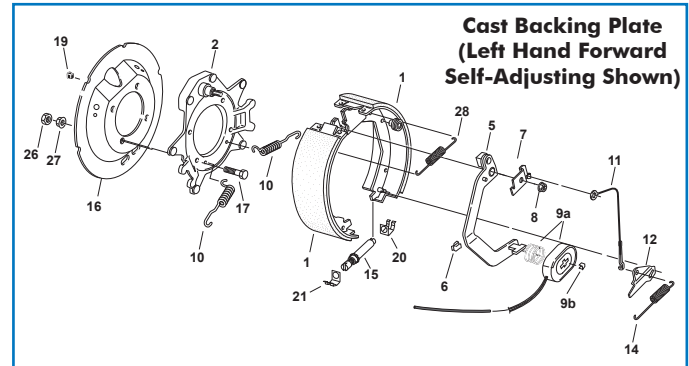
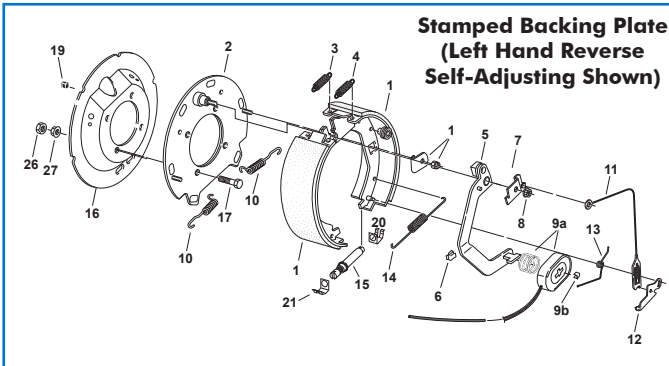




## Service Parts For "Dexter" Electric Brakes (Continued)



| Item                                    | Item # | Side  | 8 & 9K Old Style<br>12 1/4 x 3 3/8" | 9 & 10K GD<br>12 1/4 x 3 3/8" | 10,000#-HD<br>12 1/4 x 4" | 12,000#-HD<br>12 1/4 x 5" | 15,000#-HD<br>12 1/4 x 5" |
|---|--------|-------|-------------------------------------|-------------------------------|---------------------------|---------------------------|---------------------------|
| Cluster                                 | -      | LH    | 123434                              | 123450                        | 123438                    | 123442                    | 123446                    |
|   |        | RH    | 123435                              | 123451                        | 123439                    | 123443                    | 123447                    |
| Brake (Old Style Stamped Backing Plate) | 1      | LH    | 171049                              | 171049                        | 171051                    | 171053                    | 171053                    |
| Shoes                                   |        | RH    | 171050                              | 171050                        | 171052                    | 171054                    | 171054                    |
| Brake (New Style Cast Plate)            | 1      | LH    | 171499                              | 171499                        | 171501                    | 171503                    | 171503                    |
| Shoes                                   |        | RH    | 171498                              | 171498                        | 171500                    | 171502                    | 171502                    |
| Return Spring Rear (K)                  | 3      | LH/RH | 146071                              | 146071                        | 146071                    | 146071                    | 146071                    |
| Return Spring Front (G)                 | 4      | LH/RH | 146083                              | 146083                        | 146083                    | 146083                    | 146083                    |
| Arm/Shoe Retainer                       | 7      | LH    | 171455-01                           | 171455-01                     | 171455-01                 | 171455-01                 | 171455-01                 |
|   |        | RH    | 171455-02                           | 171455-02                     | 171455-02                 | 171455-02                 | 171455-02                 |
| Magnet Kit - Oval                       | 9      | LH/RH | 171375                              | 171376                        | 171376                    | 171377                    | 171378                    |
| Magnet Arm                              | 5      | LH    | 147123-38                           | 147123-38                     | 147123-38                 | 147123-36                 | 147123-36                 |
| Oval Magnet                             |        | RH    | 147123-37                           | 147123-37                     | 147123-37                 | 147123-35                 | 147123-35                 |
| Adjuster Cable (Stamped)                | 11     | LH/RH | 171020                              | 171020                        | 171020                    | 171020                    | 171020                    |
| Adjuster Cable (Cast)                   | 11     | LH/RH | 171462                              | 171462                        | 171462                    | 171462                    | 171462                    |
| Adj. Cable Guide                        | 10     | LH/RH | 171018                              | 171018                        | 171018                    | 171018                    | 171018                    |
| Adjuster Lever (Stamped)                | 12     | LH    | 171019-1                            | 171019-1                      | 171019-1                  | 171019-1                  | 171019-1                  |
|   |        | RH    | 171019-2                            | 171019-2                      | 171019-2                  | 171019-2                  | 171019-2                  |
| Adjuster Lever (Cast)                   | 12     | LH    | 171464                              | 171464                        | 171464                    | 171464                    | 171464                    |
|   |        | RH    | 171463                              | 171463                        | 171463                    | 171463                    | 171463                    |
| Lever Spring (Blue)                     | 13     | LH    | 146073                              | 146073                        | 146073                    | 146073                    | 146073                    |
| Lever Spring (White)                    |        | RH    | 146074                              | 146074                        | 146074                    | 146074                    | 146074                    |
| Adjuster Spring (Stamped)               | 14     | LH/RH | 146072                              | 146072                        | 146072                    | 146072                    | 146072                    |
| Adjuster Spring (Cast)                  | 14     | LH/RH | 146137                              | 146137                        | 146137                    | 146137                    | 146137                    |
| Adjusting Screw Assembly (Stamped)      | 15     | LH    | 148009                              | 148009                        | 148009                    | 148009                    | 148009                    |
|   |        | RH    | 148010                              | 148010                        | 148010                    | 148010                    | 148010                    |
| Adjusting Screw Assembly (Cast)         | 15     | LH    | 148019                              | 148019                        | 148019                    | 148019                    | 148019                    |
|   |        | RH    | 148020                              | 148020                        | 148020                    | 148020                    | 148020                    |
| Return Spring                           | 28     | LH/RH | 146119                              | 146119                        | 146119                    | 146119                    | 146119                    |
| Wire Clip                               | 6      | LH/RH | 127039                              | 127039                        | 127039                    | 127039                    | 127039                    |
| Magnet Clip                             | 9b     | LH/RH | 127050                              | 127050                        | 127050                    | 127050                    | 127050                    |
| Magnet Spring                           | 9a     | LH/RH | 146117                              | 146117                        | 146117                    | 146117                    | 146117                    |
| Dust Shield                             | 16     | LH/RH | 136115-20                           | 136115-23                     | 136115-23                 | 136115-23                 | 136115-23                 |
| Brake Mounting Bolt                     | 17     | LH/RH | 107097                              | 107116                        | 107116                    | 107116                    | 107116                    |
| Adj. Clip (Thread End)                  | 20     | LH/RH | 146132                              | 146132                        | 146132                    | 146132                    | 146132                    |
| Adj. Clip (Barrel End)                  | 21     | LH/RH | 146133                              | 146133                        | 146133                    | 146133                    | 146133                    |
| Nut                                     | 26     | LH/RH | 3909                                | 106017                        | 106017                    | 106017                    | 106017                    |
| Lock Washers                            | 27     | LH/RH | 4119                                | 4141                          | 4141                      | 4141                      | 4141                      |
| Centering Spring                        | 10     | LH/RH | 146136                              | 146136                        | 146136                    | 146136                    | 146136                    |